

KOPER^K



B500

The latest generation of vertical awning



B500

The latest generation of vertical awnings



Modern architecture has inspired the use of vertical awnings to protect façades from sunlight and the elements, like wind and rain.

Outdoor vertical awnings must use systems that ensure the fabric does not come loose from the guides.

B500 is an innovative solution that in addition to being quick and easy to make, means a stronger and more durable product.

When it comes to openings on façades, today's diverse needs can be met by the versatile solutions and range of possibilities offered by **B500**.



PERFECT FOR

- Windows
- Balconies
- Existing structures



KOPER_k



Change from zip to Bip

The zip system is currently the most widely-used for guided vertical awnings as it ensures the fabric stays in the guides.

B500 offers the same features but with better functional results, the same applications but more advantages for professionals.

Key points of the B500 system

BEAD CHAIN GUIDE SYSTEM

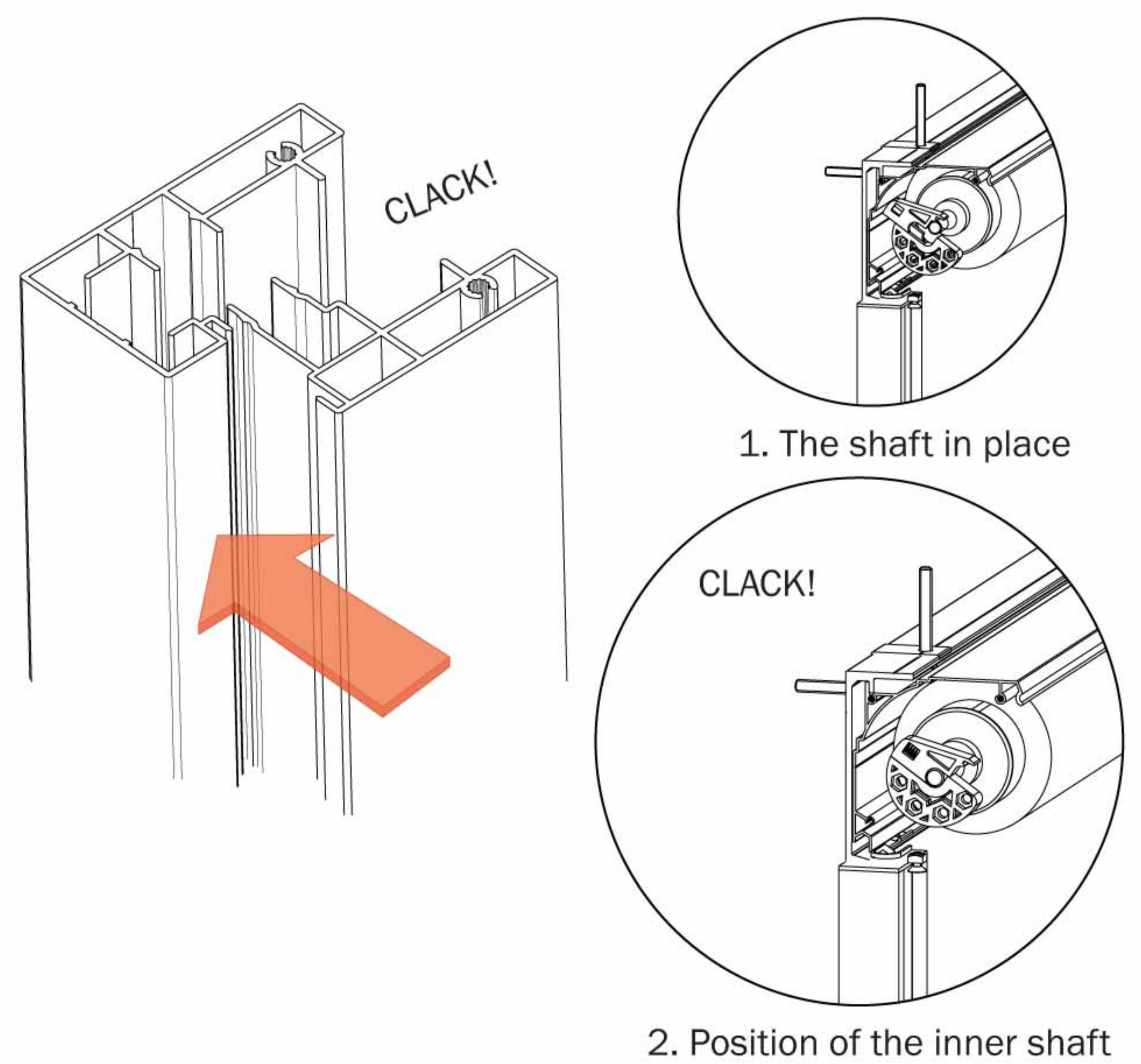
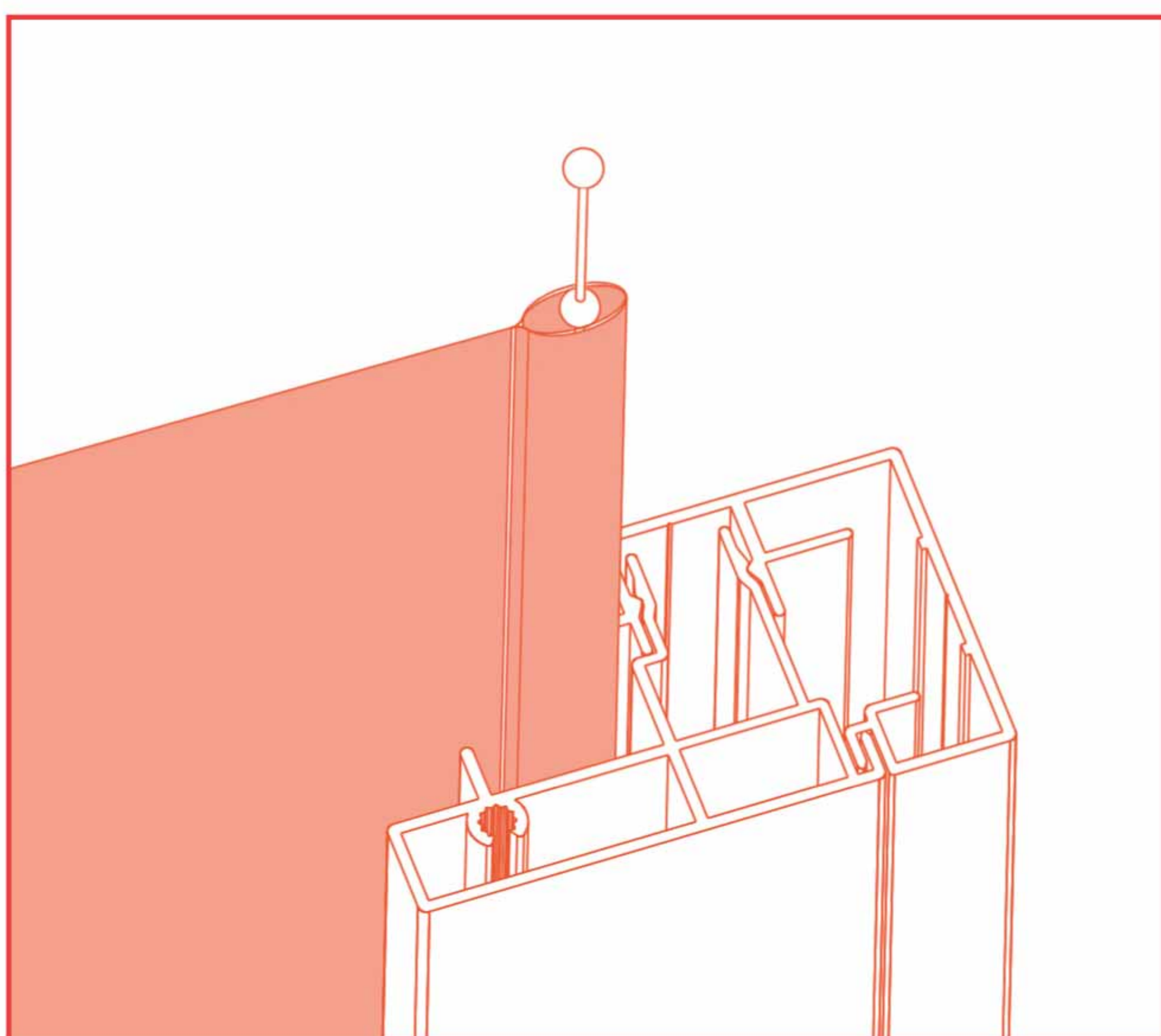
Very secure. Ensures the fabric stays in the side guides. Ensures maximum functionality thanks to the UNIQUE, BIP bead-chain tension system.

FRONT INSTALLATION OF THE ROLLER.

Thanks to the automatic clip support, installing the roller is practical and it does not need to be disassembled even if the fabric needs changing.

CLIPPABLE GUIDES

A practical and attractive advantage for your guides. They are easy to assemble and as no screws or rivets are needed to secure them, they look beautiful.



KOPER_k



B500

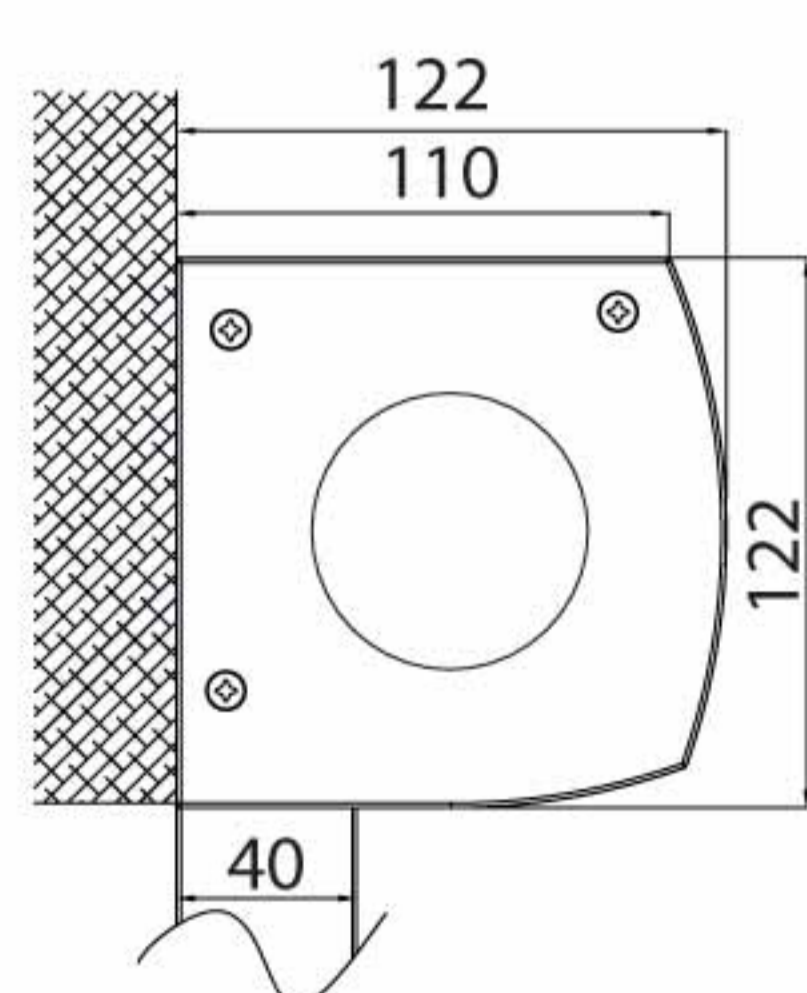
Change from zip to Bip

- All the pros of a zip and none of the cons.
- Easy to make and install.
- No special machinery or precision tools needed.

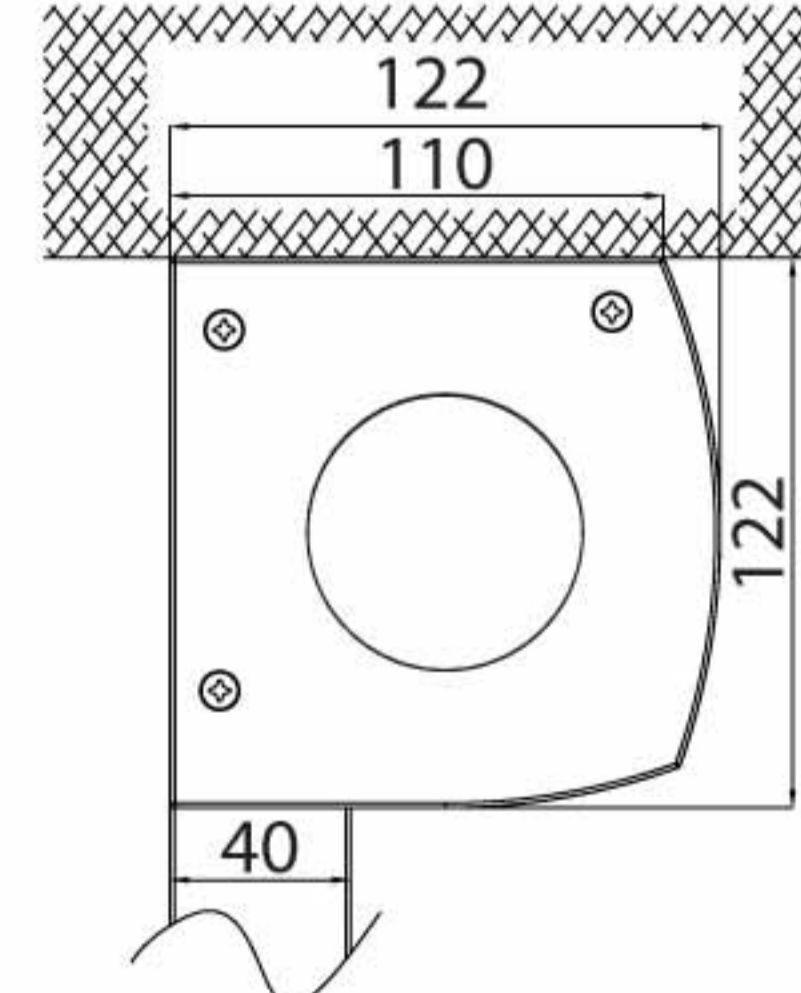


DIMENSIONS (mm)

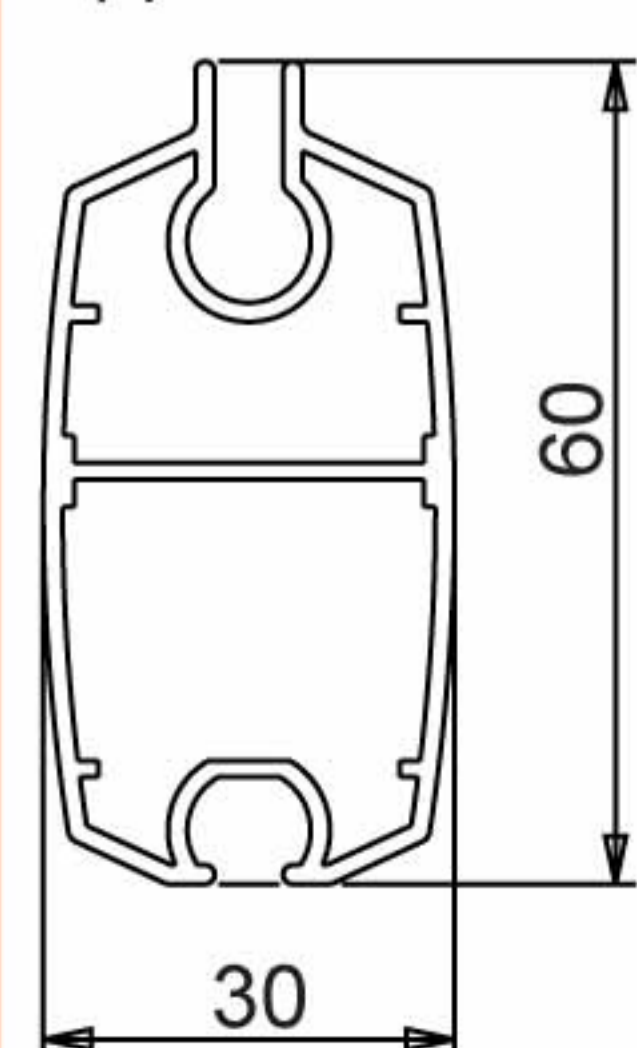
Wall mounting



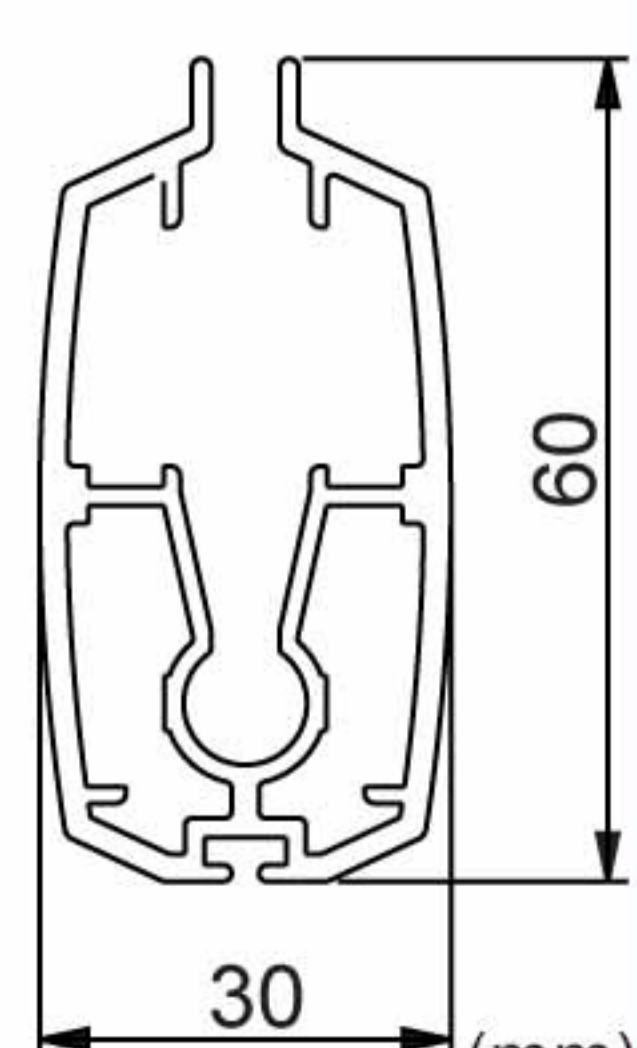
Ceiling mounting



Fabric in upper slot

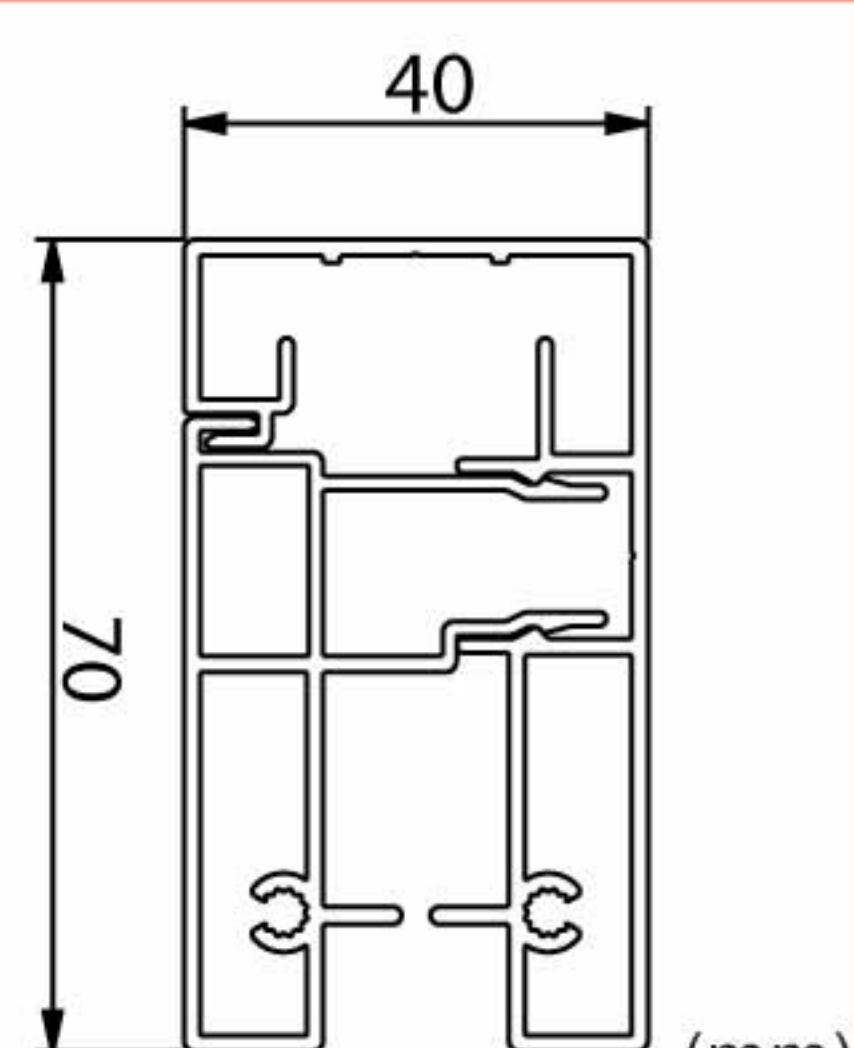


Fabric in lower slot



LOAD BARS

SIDE GUIDE



MAXIMUM DIMENSIONS

Maximum width

5.00 m.

Maximum projection

3.00 m.

TECHNICAL INFO

Installation	Mechanism	Finishings
Front	Motorised	Lacquered according to QUALICOAT standards
Ceiling	Automated	Stainless steel screws
Wall to wall	Manual	



KOPER^k

BIP's innovative system: advantages and benefits

EASY

B500 offers huge advantages for professionals.

Awnings are easy to make and no special machinery or tools are required.

Save time, money and space with **B500**.

GUARANTEED FUNCTIONALITY

The levels of precision and accuracy required to make this product are less than those needed for the zip system.

Despite being even less demanding, the functionality of the product is in no way affected.

It hides any imperfections on the wall where the installation is to be carried out.

STRENGTH

B500 also gives the end consumer extra advantages as the product is more resistant to wind and the elements*.

Unlike other models on the market, with **B500** you don't have to crouch down to secure the awning to the floor because the system does it for you.

***Wind pressure:** successfully passed the wind tunnel test for minimum resistance over 40 km/h.



KOPER_k



www.kopershades.com