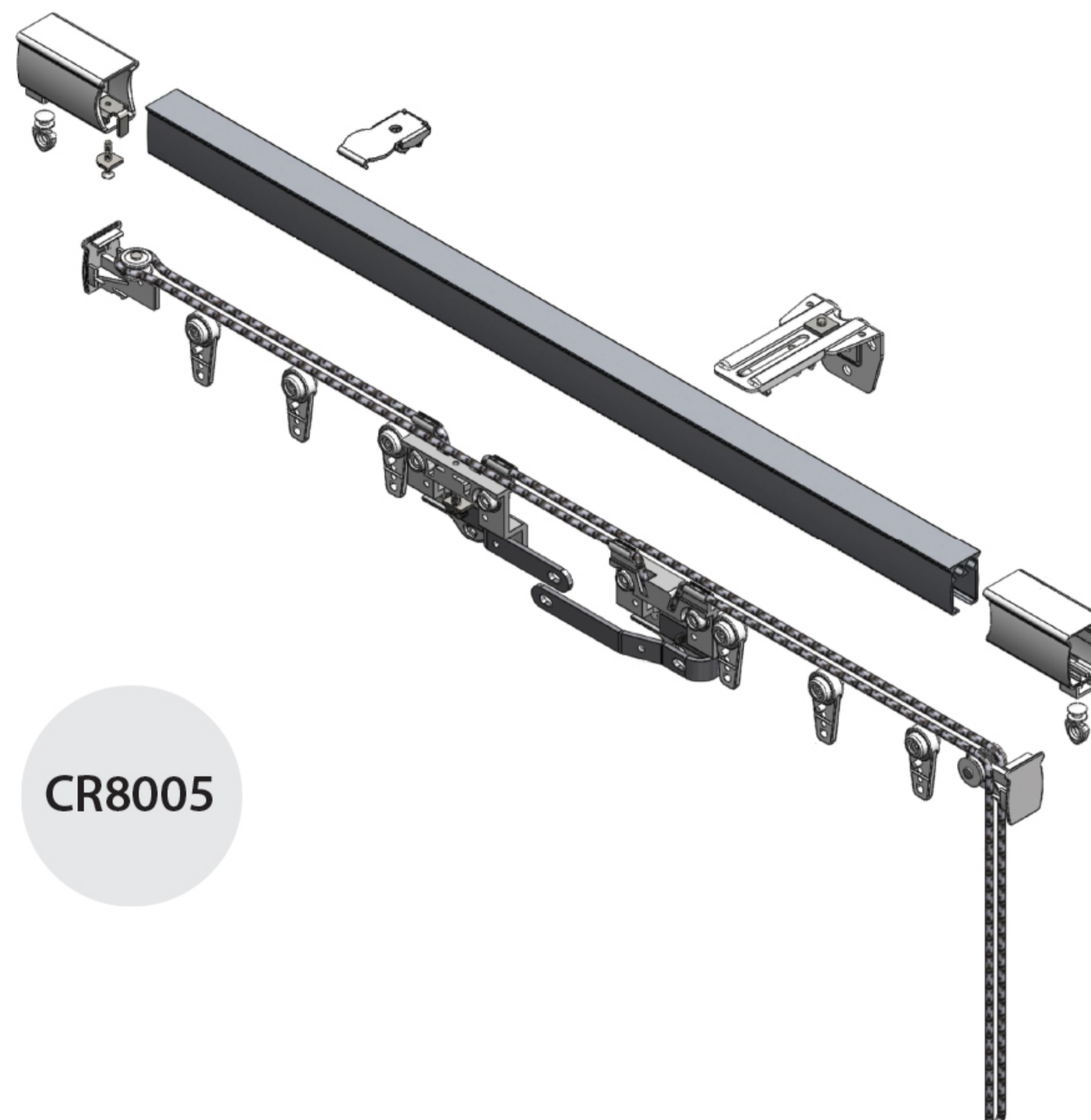




CR8004



CR8005

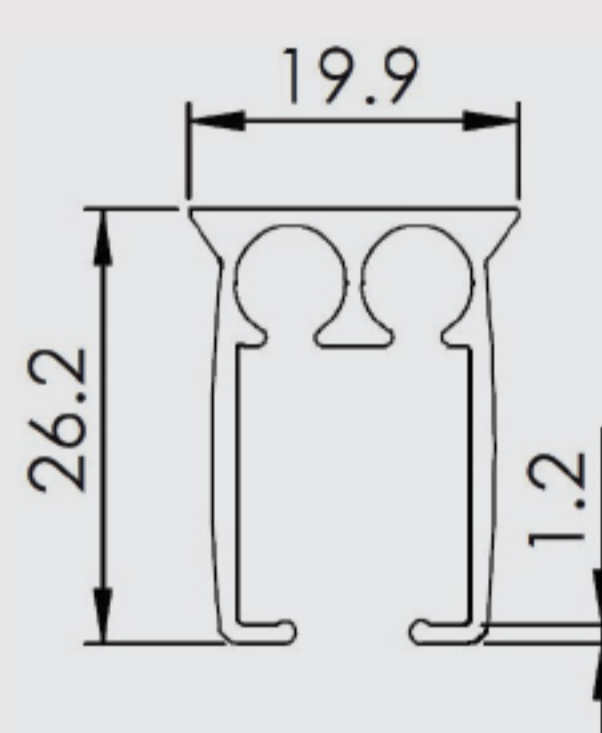
SPECIFICATIONS

- Powder coated aluminum profile - white color
- Size: 19.9 x 26.2 mm
- Thickness: 1.2 mm
- Length: 5.8 m
- Maximum recommended weight:
1 kg/ball bearing carrier & 20 kg/curtain

FEATURES

- Can be used with regular or ripple fold carriers
- Can be bent (for curved shape windows)
- Easy installation brackets for wall & ceiling
- Connecting bridge is available for lengths longer than 5.8m
- Manual operation by cord or by hand

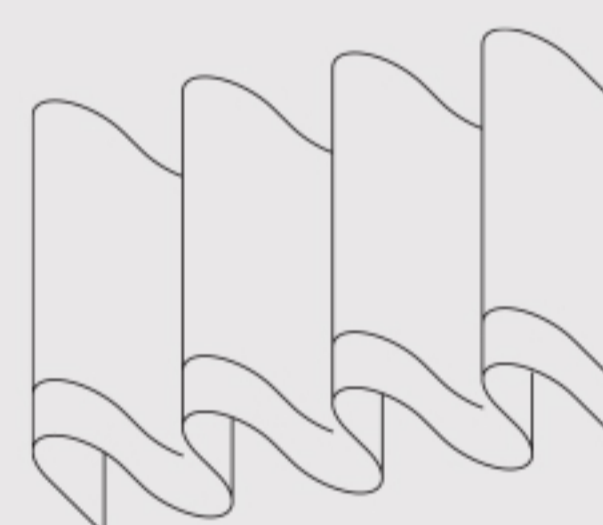
TRACK



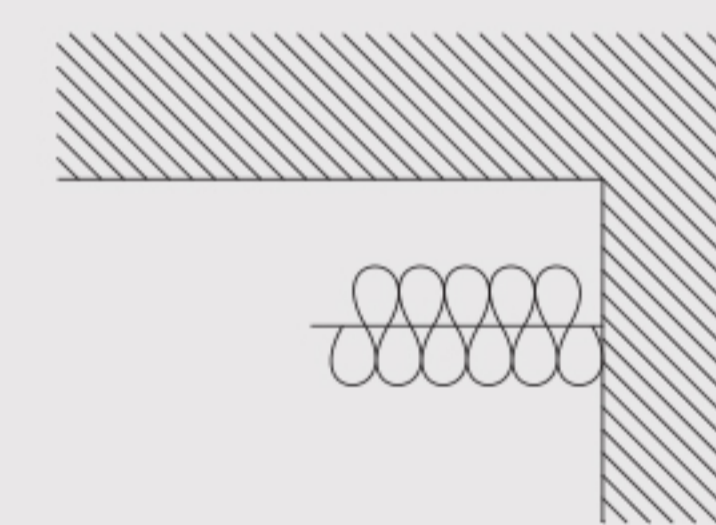
OPERATIONAL DIRECTION



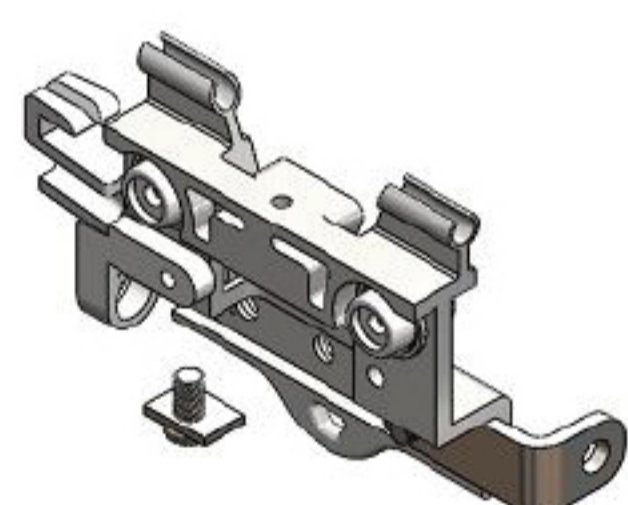
CR8004 CONTINUOUS WAVE HEADING



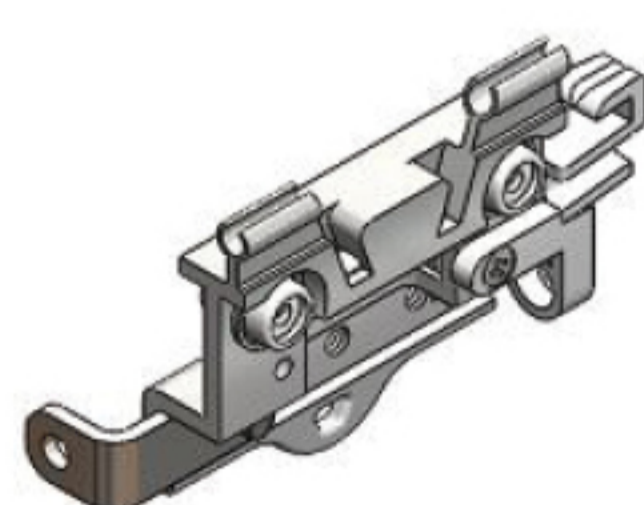
STACK POSITION



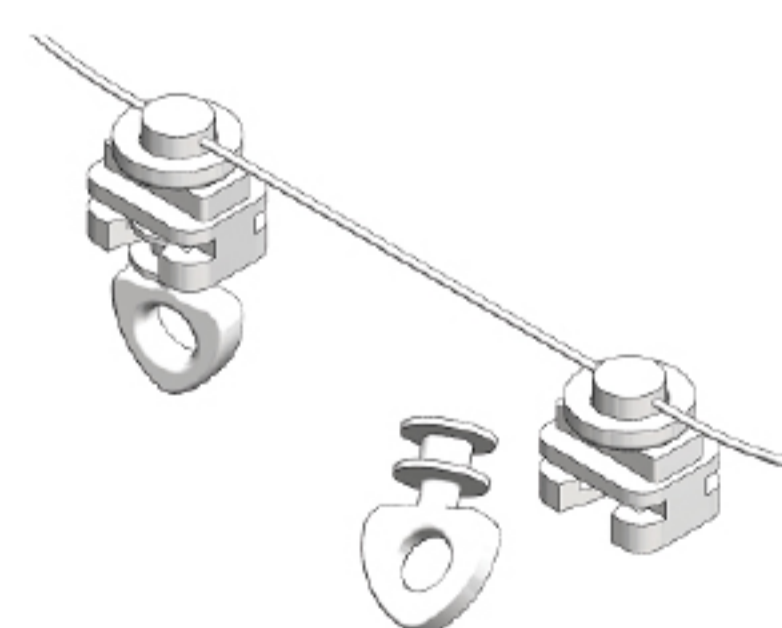
MAIN COMPONENTS



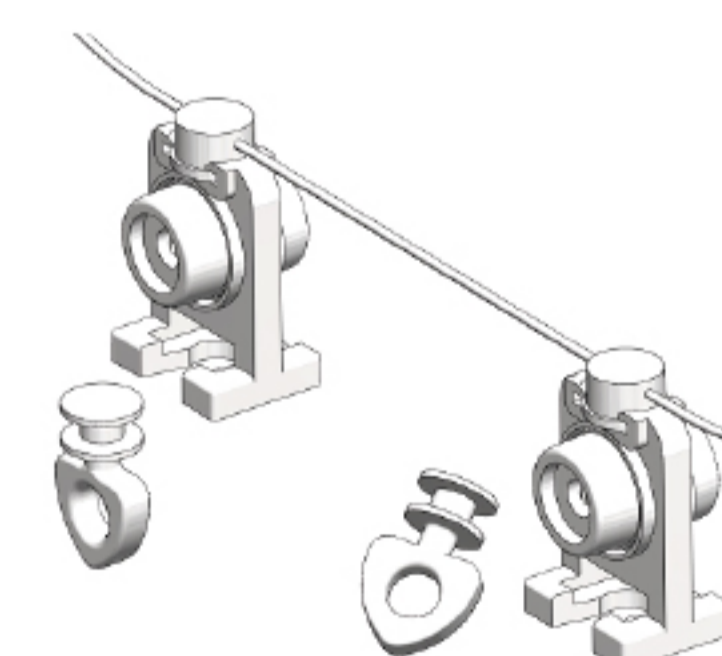
CR8004 Master Carrier - Left Side
(ball bearing)



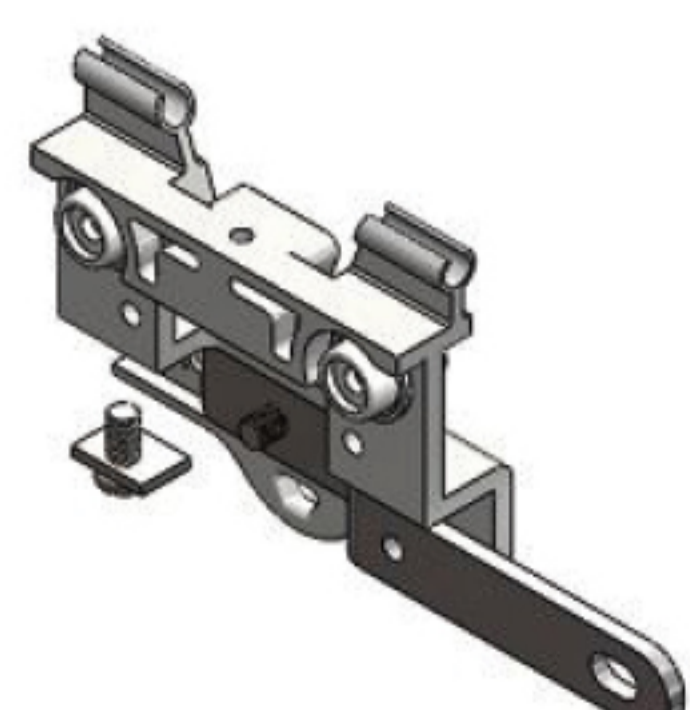
CR8004 Master Carrier - Right Side
(ball bearing)



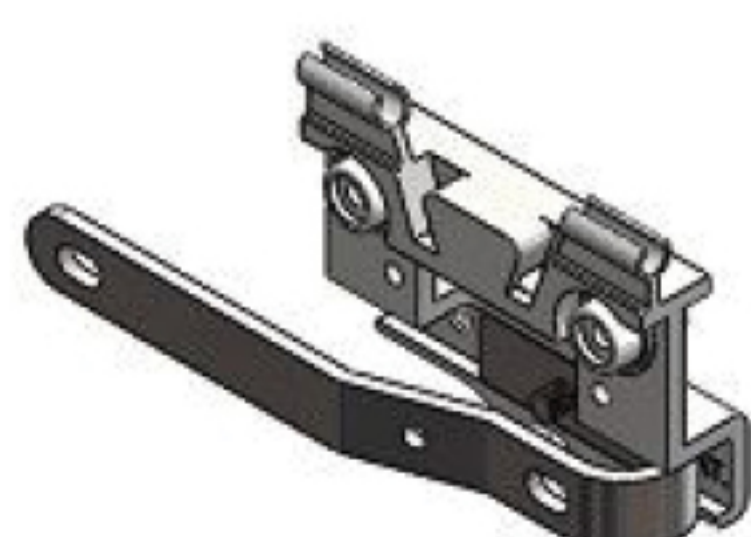
CR8004 2-Pieces Detachable Friction Carrier
(spacing: 2 1/8" or 3 1/8")



CR8004 2-Pieces Ball Bearing Carrier
(spacing: 2 1/8")



CR8005 Master Carrier - Left Side
(ball bearing)



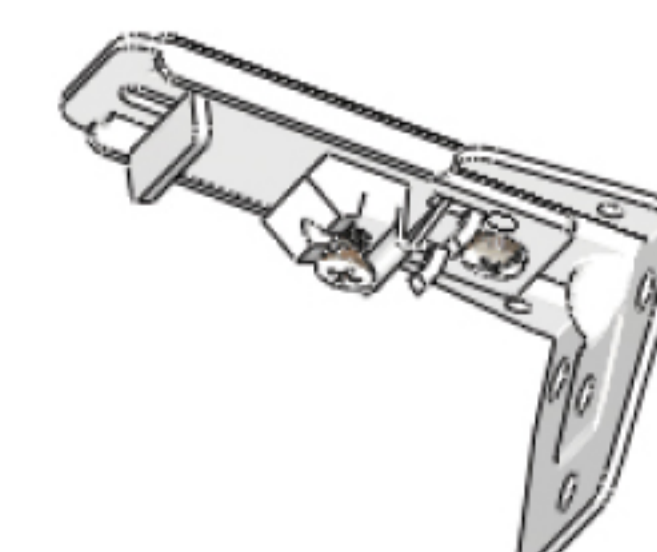
CR8005 Master Carrier - Right Side
(ball bearing)



CR8005 Micro Ball Bearing Carrier
(rust resistant)



Ceiling Clip
(POM fastener)



Wall Bracket
(POM fastener)