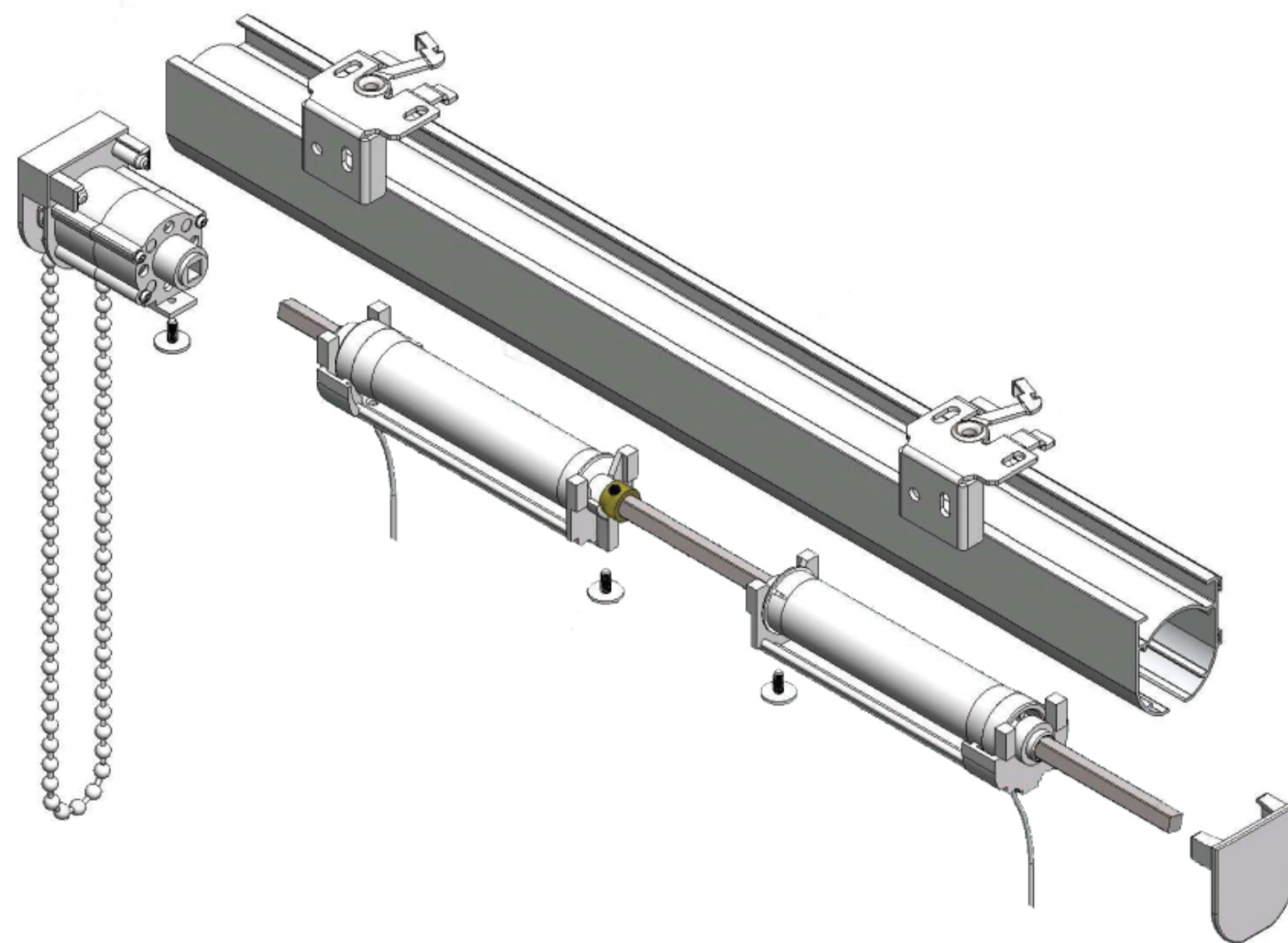


## Chain Operated Roman Shade Rail



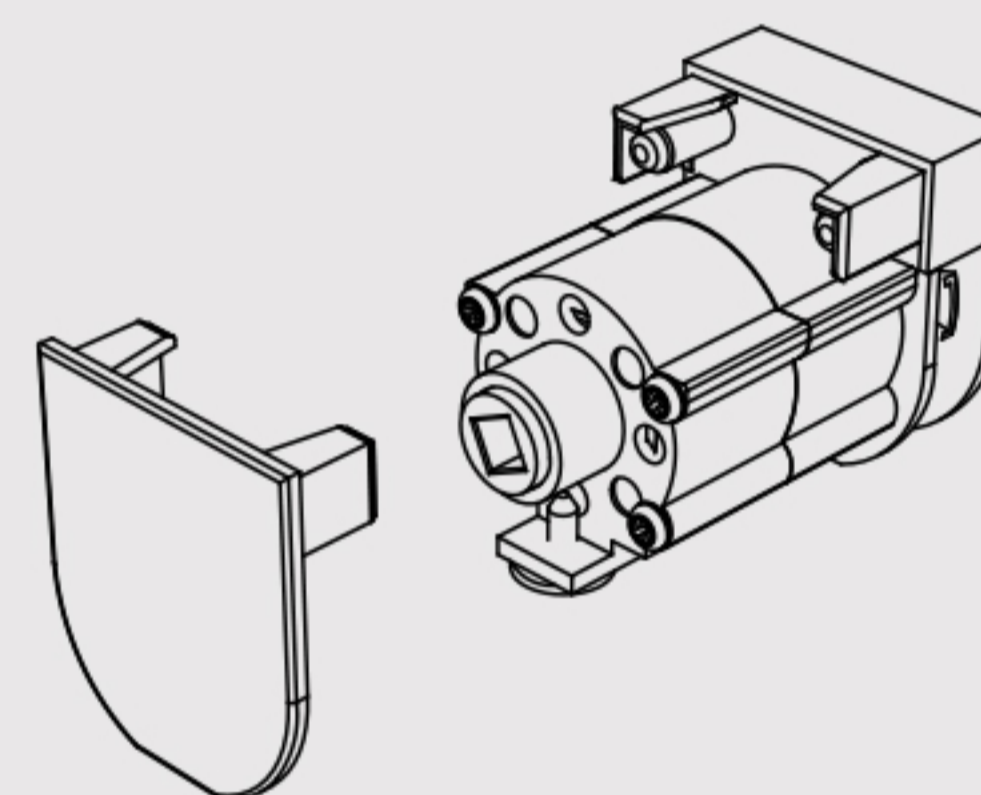
### SPECIFICATIONS

- Powder coated aluminum profile with built-in velcro tape
- Size: 31.8 x 36.7 mm
- Length: 5.8 m
- Maximum fabric weight: 7.5 kg
- Maximum height: 5 m

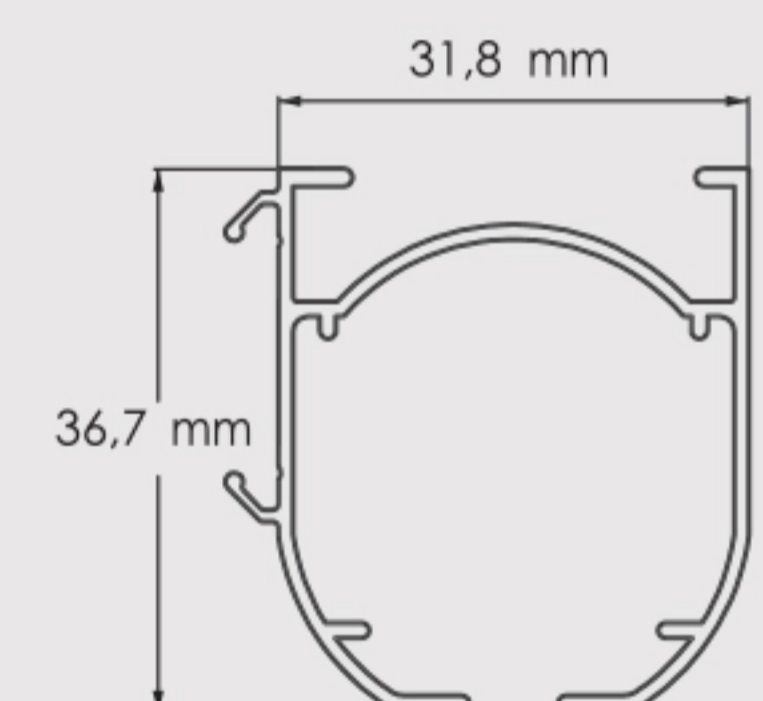
### FEATURES

- Compact design
- Built-in velcro hook tape, heat & humidity resistant
- Easy installation brackets for wall & ceiling
- Easy adjustable cord locations by moving the cord drums
- Smooth parallel motion, no slanting cord's problem
- Endless chain control units (1:4 & 1:2)

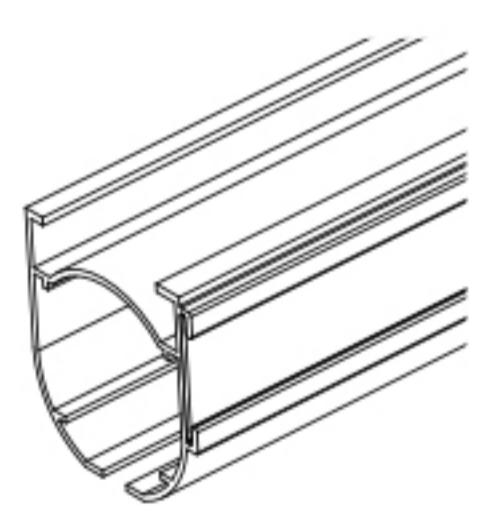
### CONTROL UNIT & END CAP



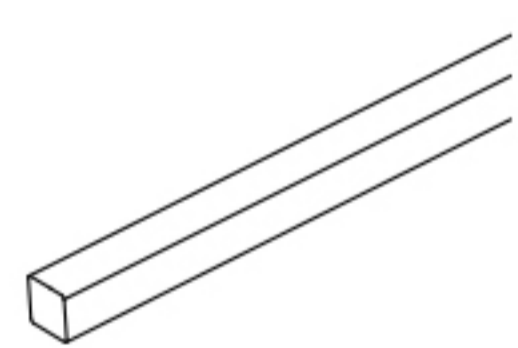
### ALUMINUM HEADRAIL PROFILE



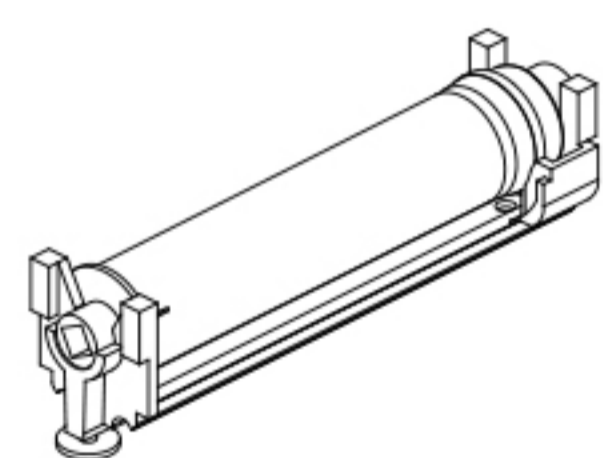
### MAIN COMPONENTS



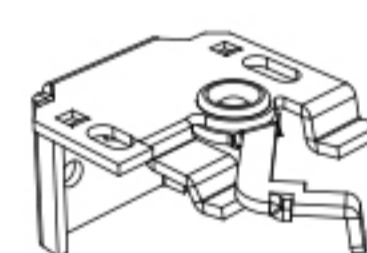
Headrail with velcro



Tilt Rod 5x5mm



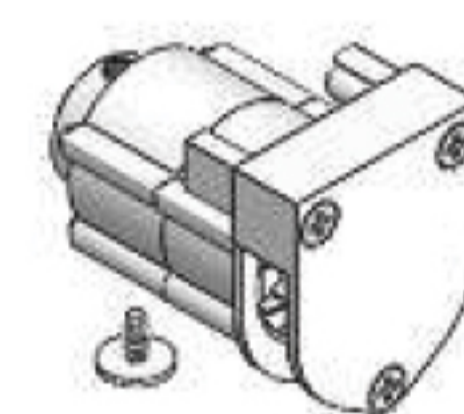
Drum & Shaft



Bracket



End Cap



Control Unit 1:4  
Heavy Duty - Smooth



Control Unit 1:2  
Medium Weight - Faster

