

Motorized Roman Shade Rail



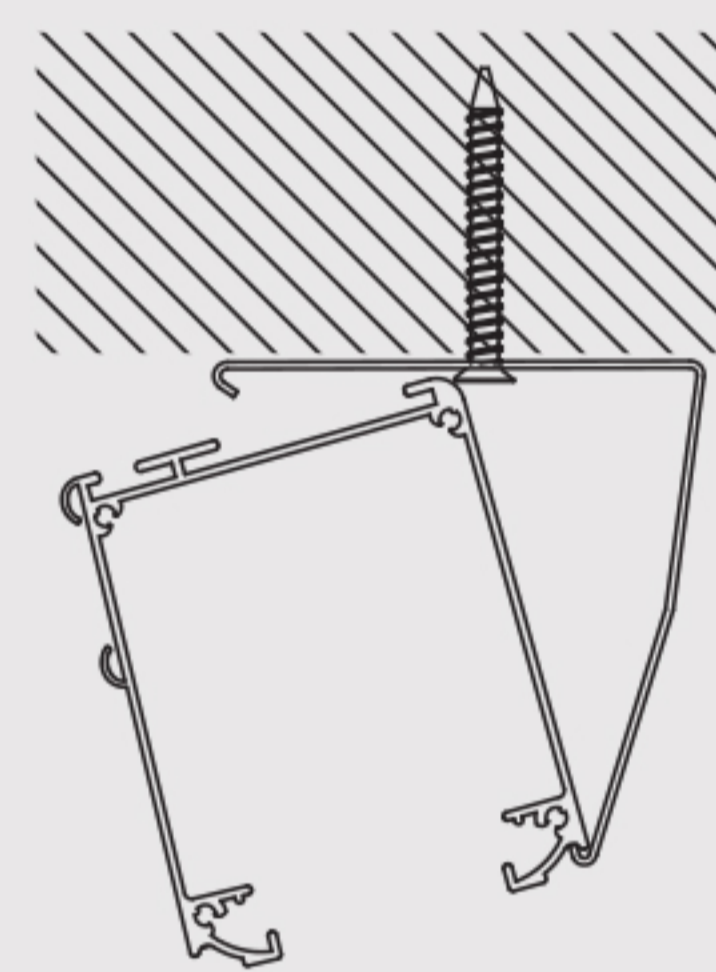
SPECIFICATIONS

- Powder coated aluminum profile with built-in velcro tape
- Size: 62 x 74 mm
- Length: 5.8 m
- Maximum fabric weight: 20 kg
- Maximum height: 6 m

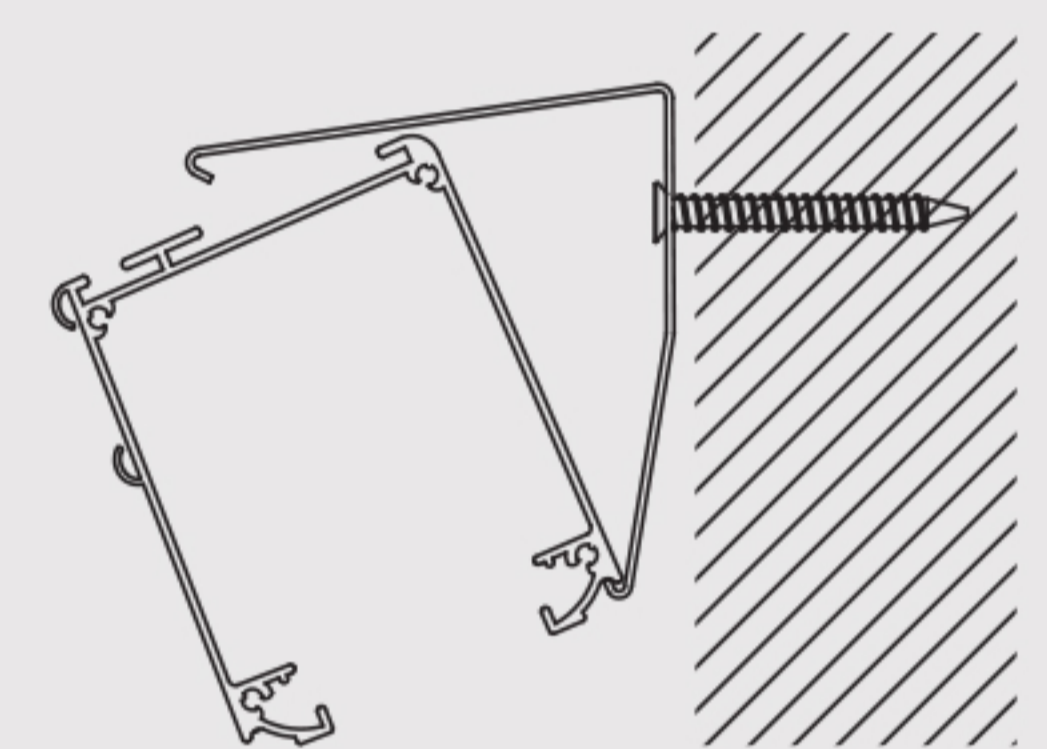
FEATURES

- Elegant shape profile
- Built-in velcro tape
- Easy installation brackets
- Easy adjustable cord locations by moving the cord drums
- Smooth operation
- Tubular motor to be fit inside, can be controlled by switch or by automation system (adjusted mechanically through the lower opening of the rail), or by remote control (internal receiver, adjusted by remote control buttons)

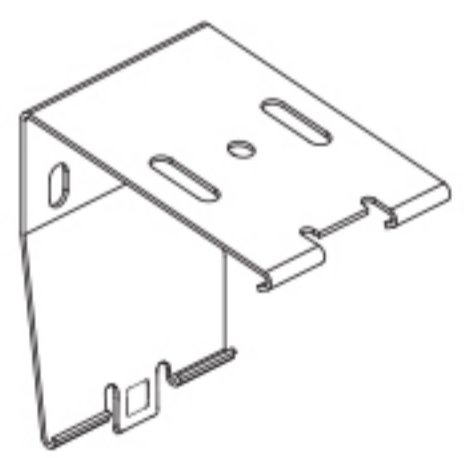
CEILING INSTALLATION



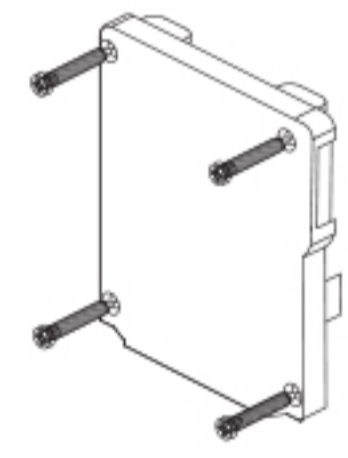
WALL INSTALLATION



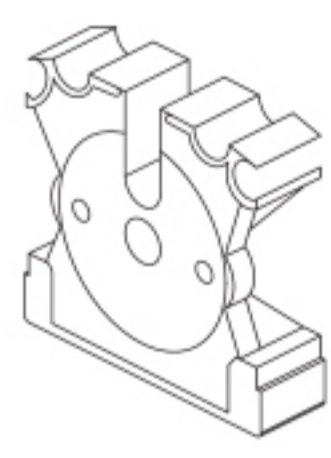
MAIN COMPONENTS



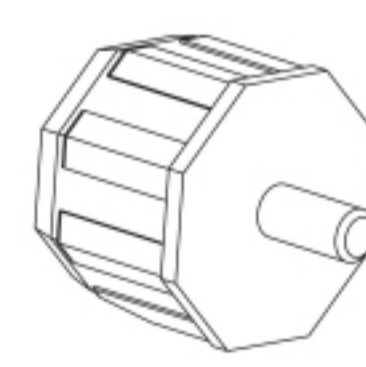
Wall & Ceiling Bracket



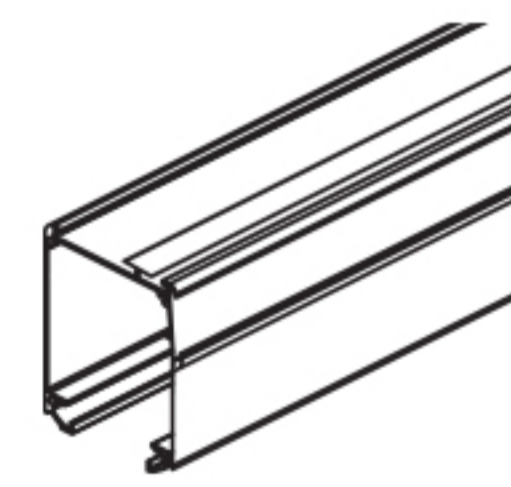
Endcaps



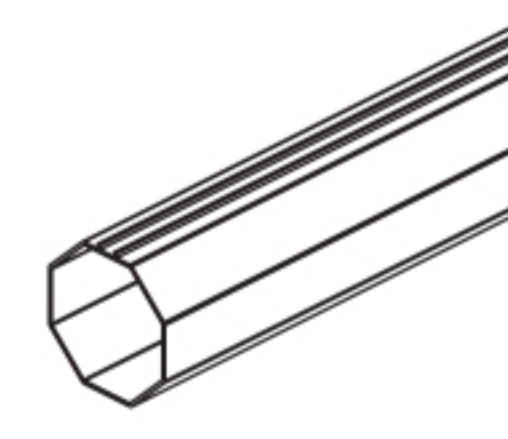
Inside Support



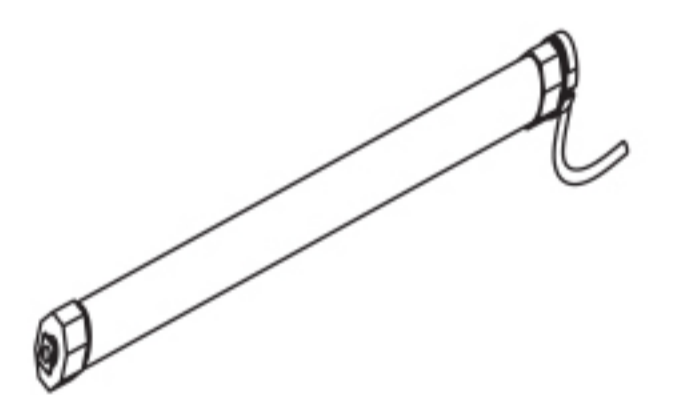
End Plug



Track



Octagonal Tube



Tubular Motor

