

B500

KOPER<sub>k</sub>

# Technical Manual

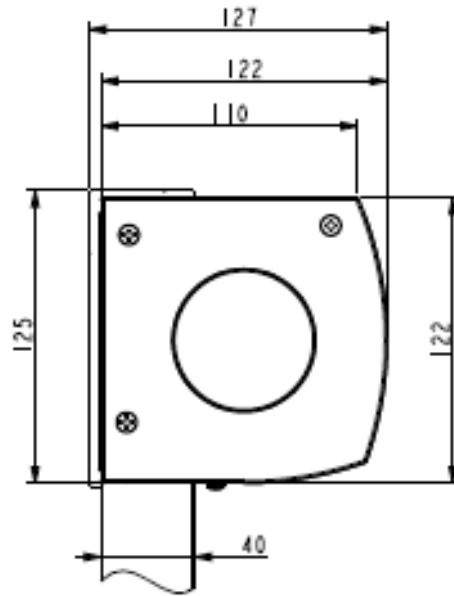
# B500

[www.kopershades.com](http://www.kopershades.com)

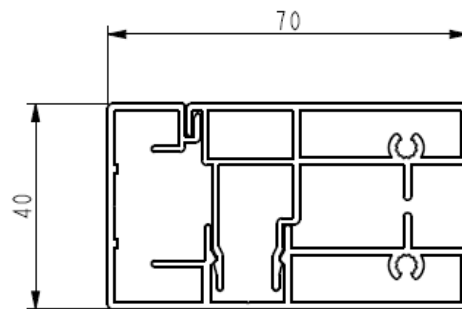


SECTIONS WITH DIMENSIONS (figures in mm)

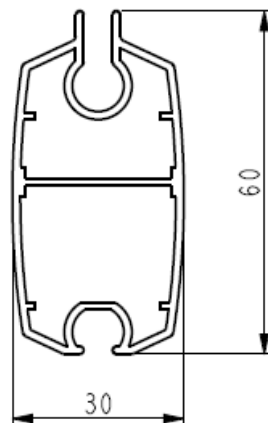
BOX

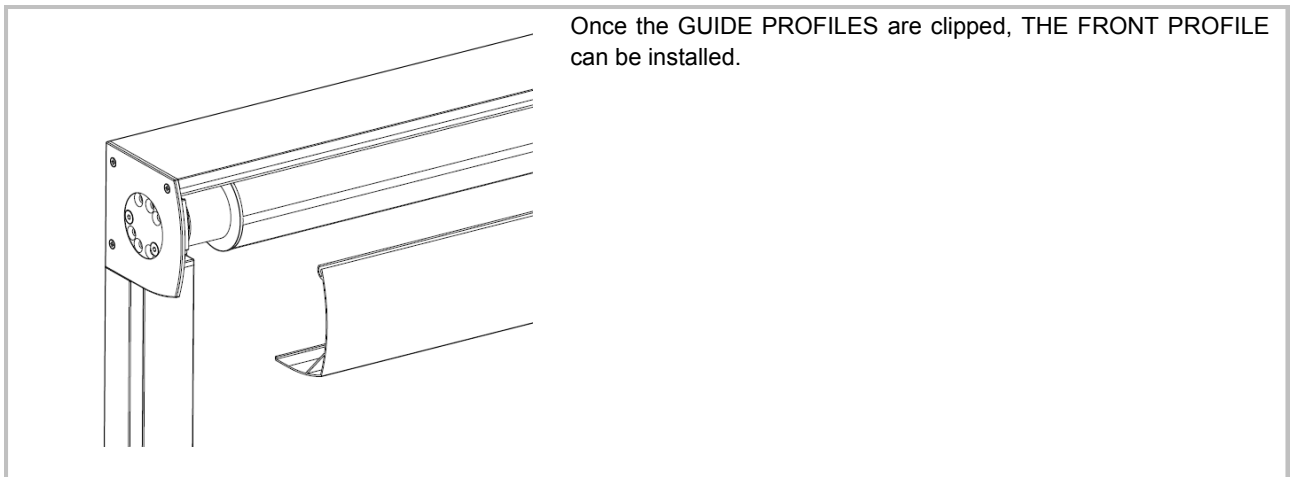
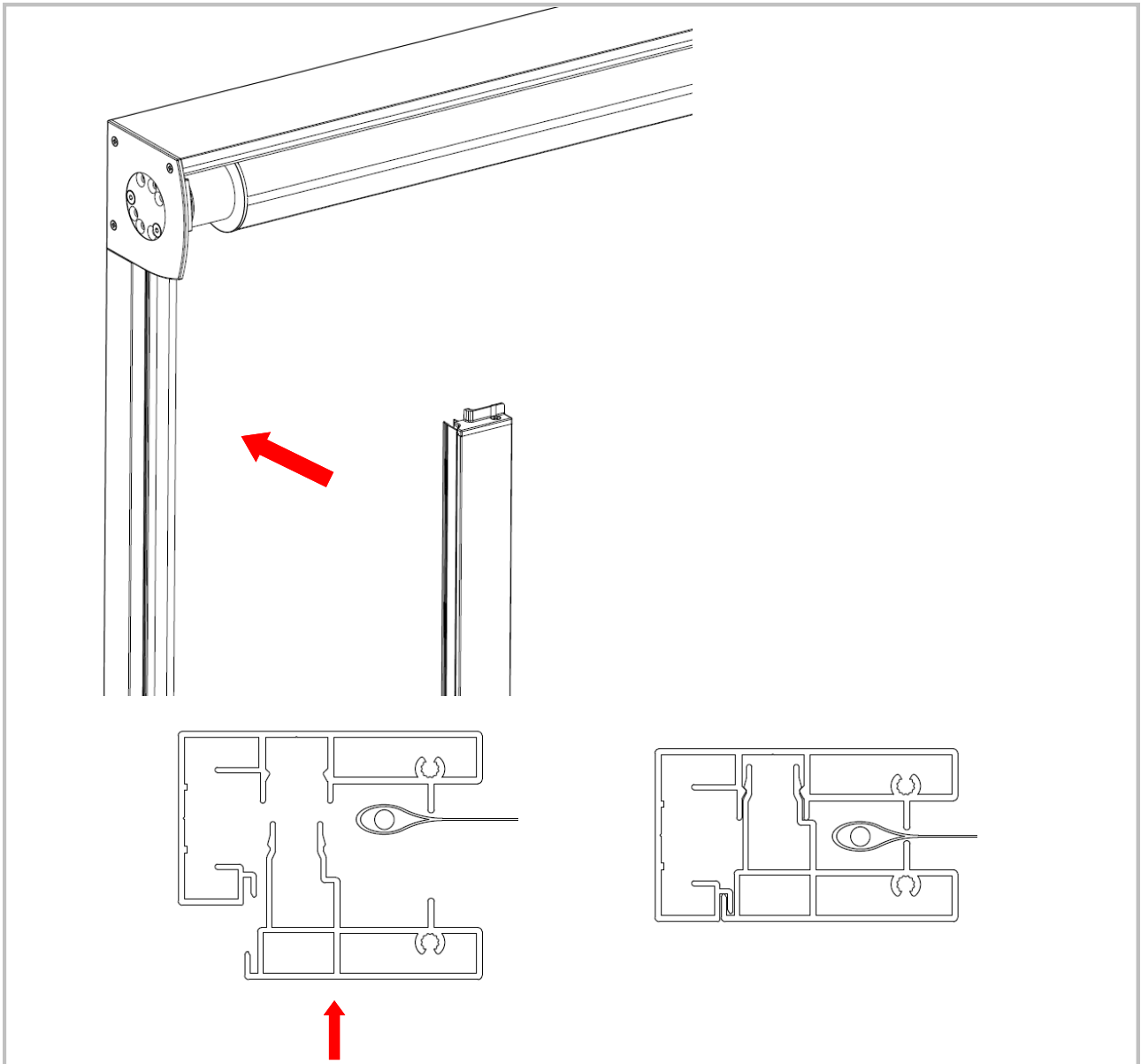


GUIDE



DROP BARS





Once the GUIDE PROFILES are clipped, THE FRONT PROFILE can be installed.