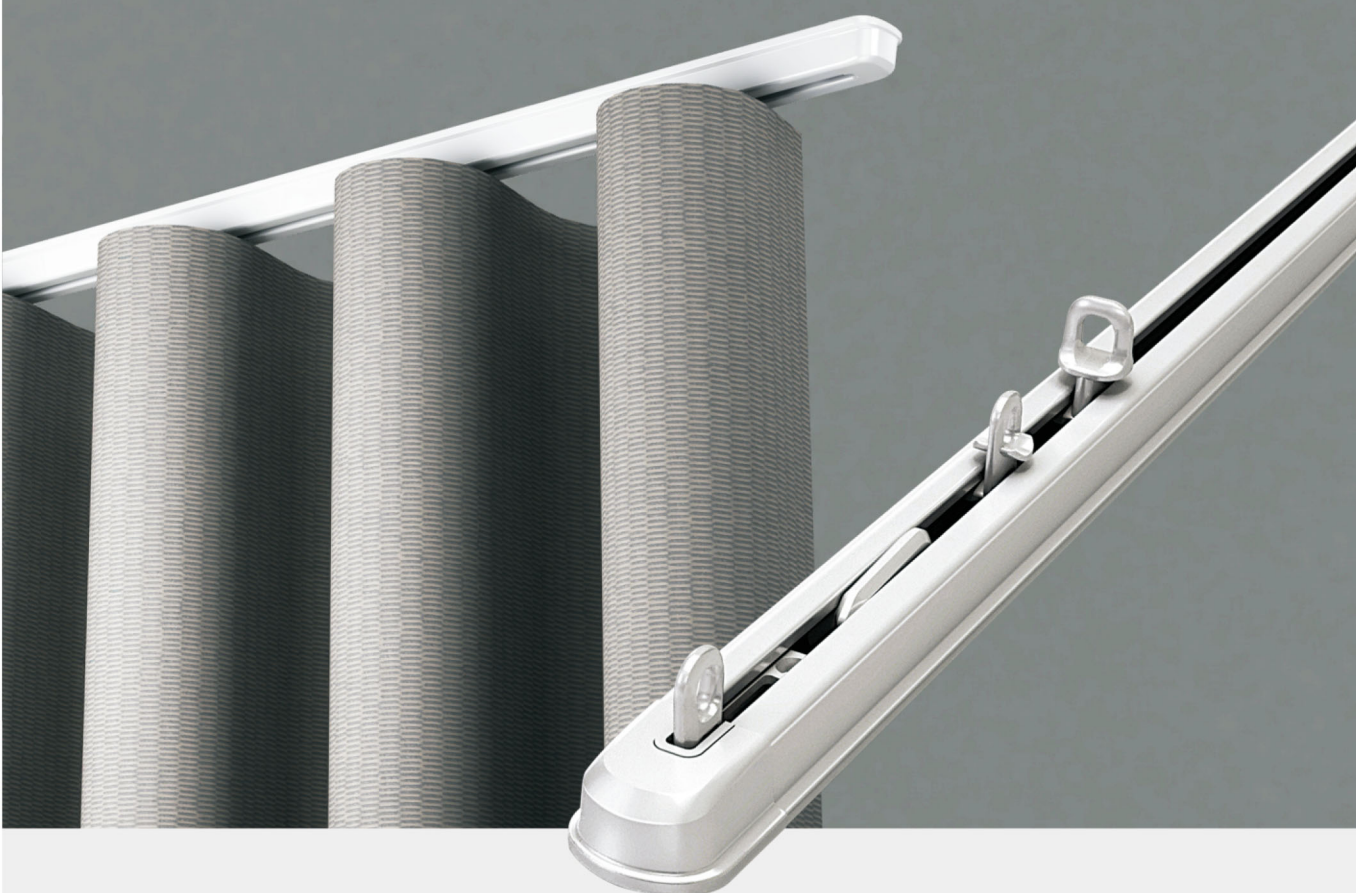


Ready product
No Measurement required

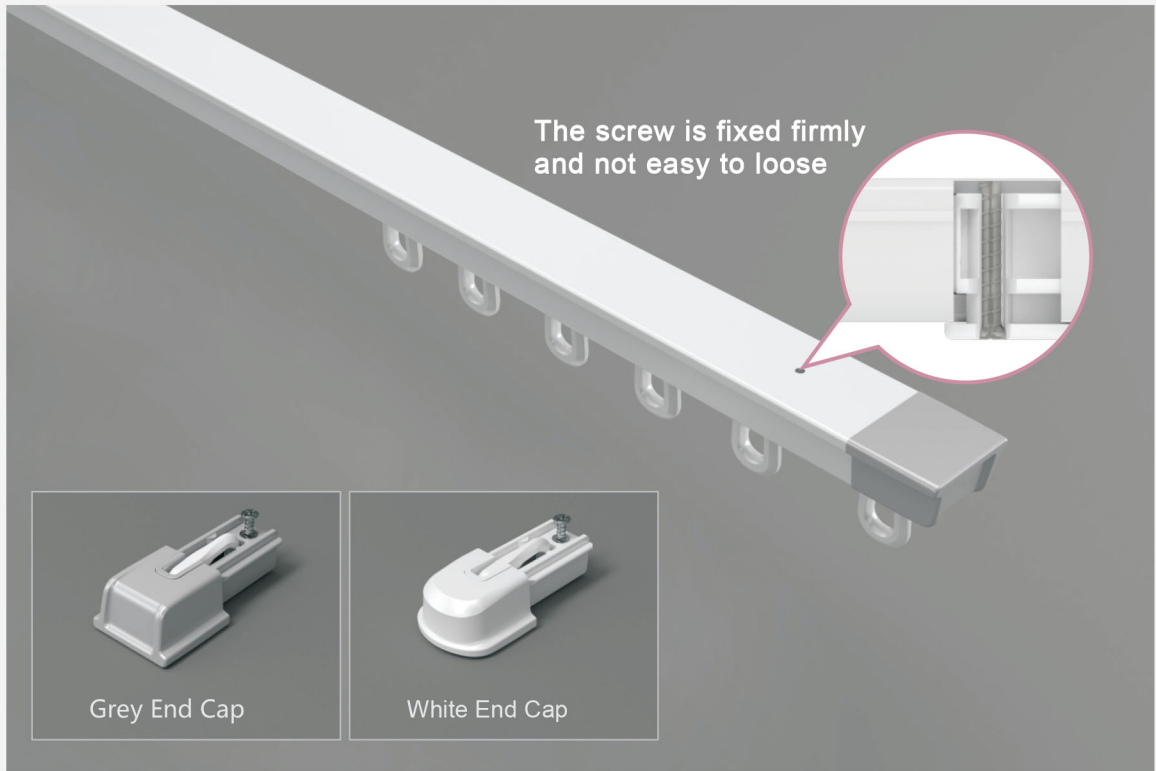
Seamless integration
Smooth gliding



Telescopic Silent Track **CR2206**

KOPER_k

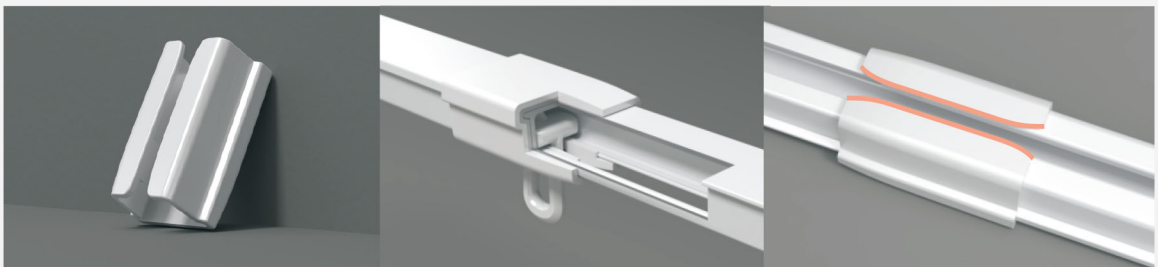
End cap



Joint

Connector's Role Enhances Smooth

- ① Ensures Pulley Passage, Reduces Jamming
- ② Secures Bracket-Type System from Detachment
- ③ Creates an Integrated Track Connection



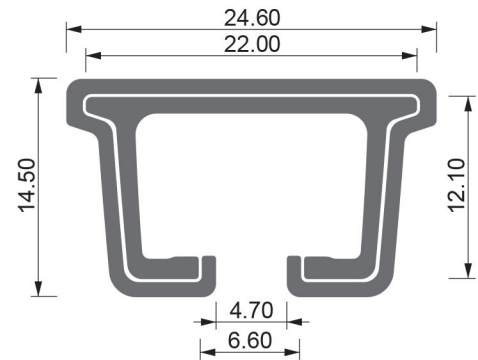
High standard Metal:

Thickness: 1.00~1.20 (± 0.05 mm)

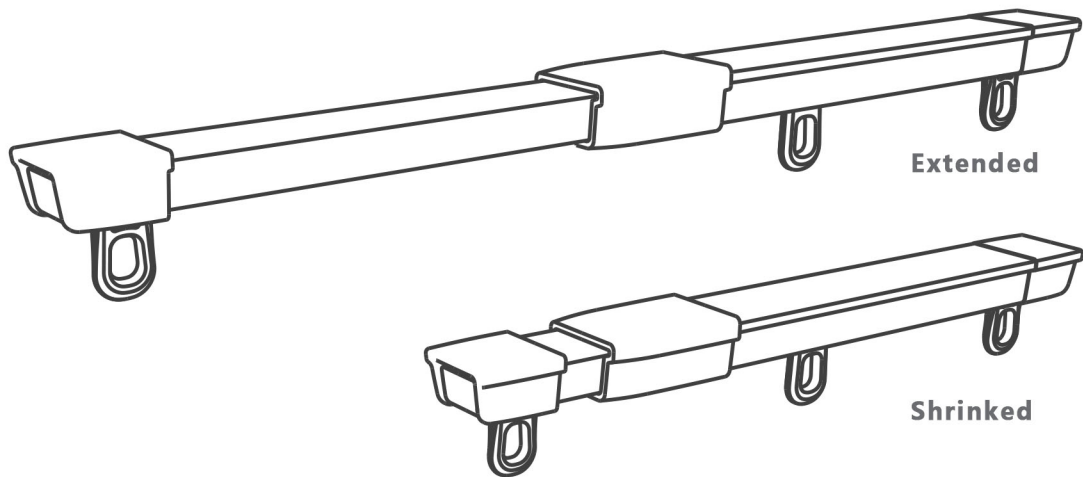
Dimension:

24.60X14.50 mm(outer)

22.00X12.10 mm(Inner)



Expandable and Adjustable, Lengthens in One Second



Storage

- Ready telescopic curtain tracks
- Less space needed
- Easier loading and unloading
- Suitable for various small spaces to keep

Transportation

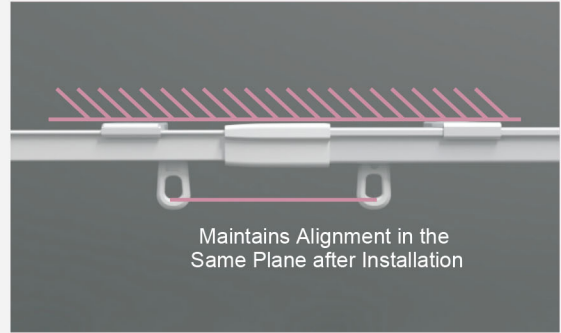
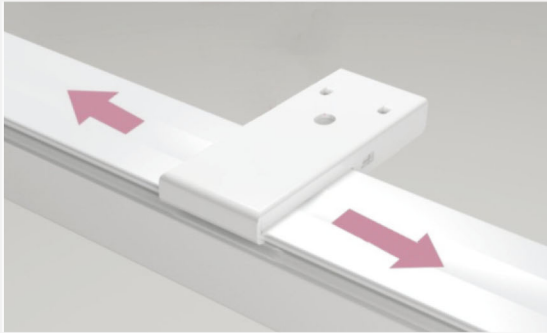
- Small size after packing
- No special vehicles needed

Installation

- Easy carrying elevators acceptable
- Adjustable size
- Allow measurement discrepancy

Dual Spring Installation Bracket

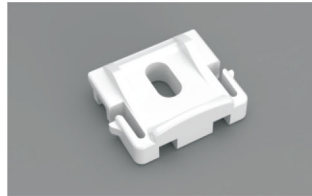
Allows Left and Right Movement for Easy Adjustment



Material and Processing Technology



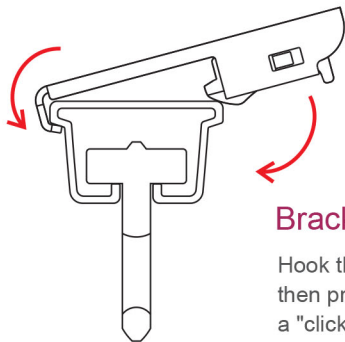
Brand new steel plate and iron components, electroplated and then powder-coated for rust resistance.



Plastic parts made of POM (M9044)

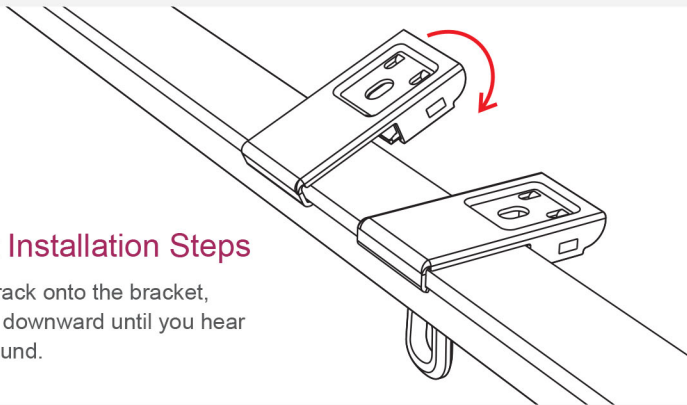


Galvanized springs, dual springs for balanced locking force.

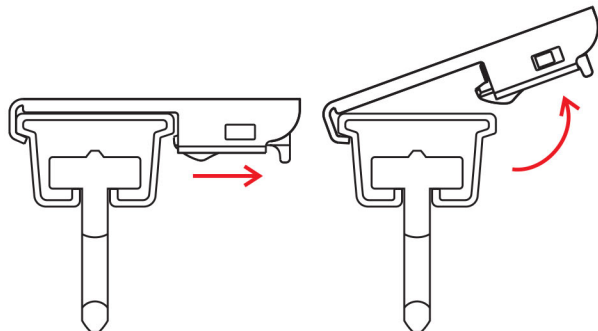


Bracket Installation Steps

Hook the track onto the bracket, then press downward until you hear a "click" sound.

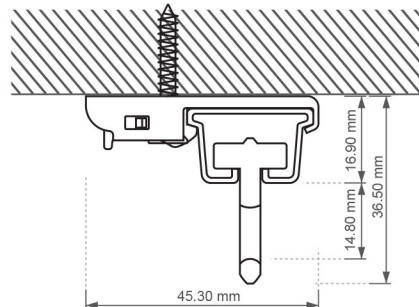
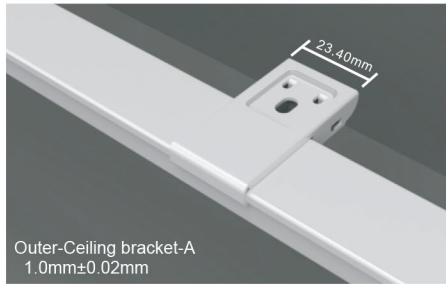


Push the plastic part backward to disengage it from the track, then lift it upwards to separate the installation bracket from the track.

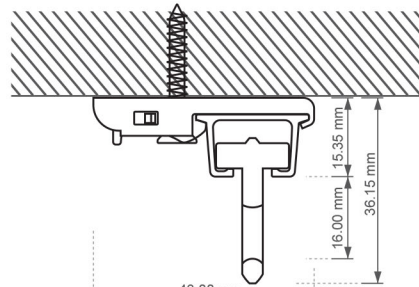
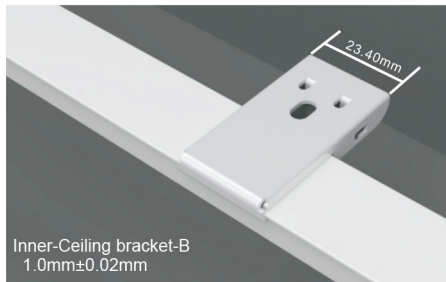


Bracket installing&introduction

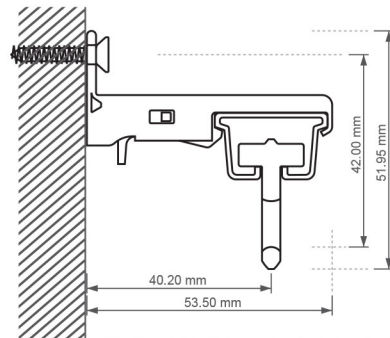
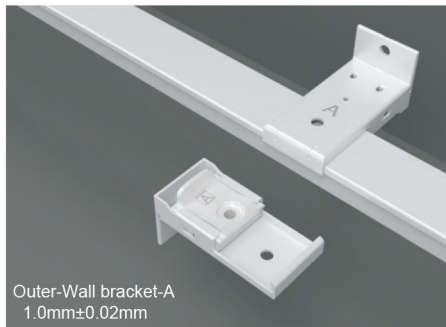
Bracket: Outer bracket(A)+Inner bracket(B)



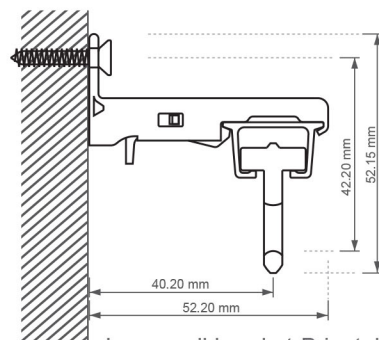
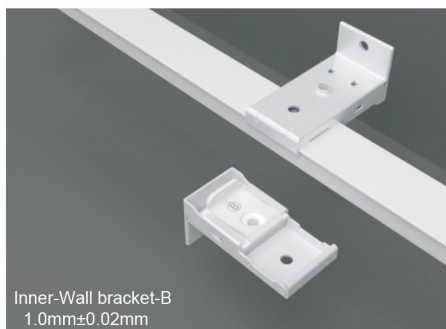
Outer Ceiling bracket-A Installation



Inner ceiling bracket-B installation

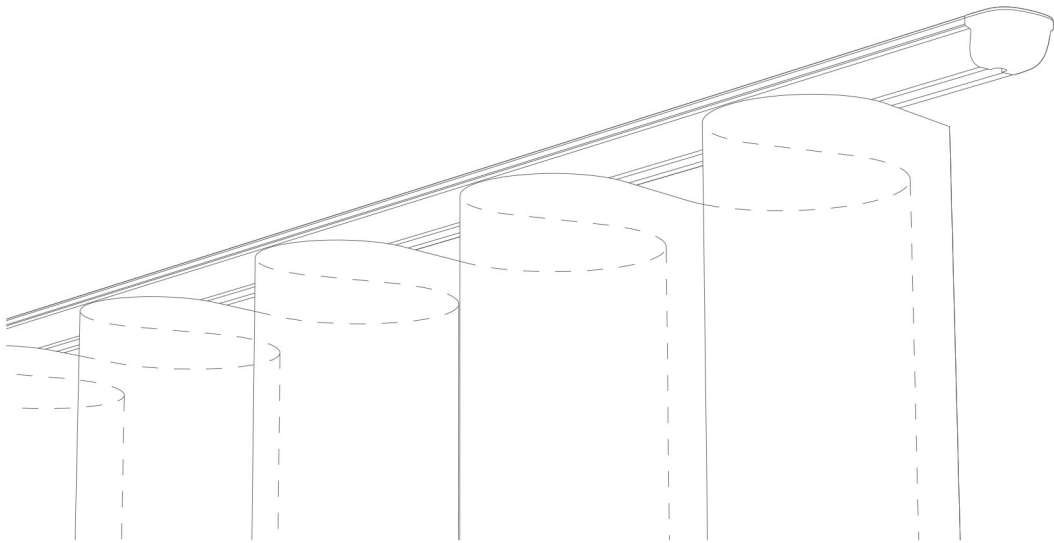


Outer Wall bracket-A Installation



Inner wall bracket-B installation

Wave fold curtain 6.0cm



Accessories

Wave fold curtain 6.0cm

Strech size	packed size	ceiling bracket	runner	stopper
2020mm	1110mm	2+2 Pcs (Outside+Inside)	36Pcs	2 Pcs
2980mm	1590mm	4+3 Pcs (Outside+Inside)	52Pcs	2 Pcs
3940mm	2070mm	4+4 Pcs (Outside+Inside)	68Pcs	2 Pcs
4660mm	2430mm	5+4 Pcs (Outside+Inside)	80Pcs	2 Pcs

